



BI PRO CT configuration for A1-ESS-G2

User Manual

Version 0.0

www.solaxpower.com

BI PRO CT configuration

A1-BI PRO-200-G2 (BI PRO) has built-in meter which measures the grid input power. In "1.1 [Whole home backup](#)" application, it is no need to configure the CT.

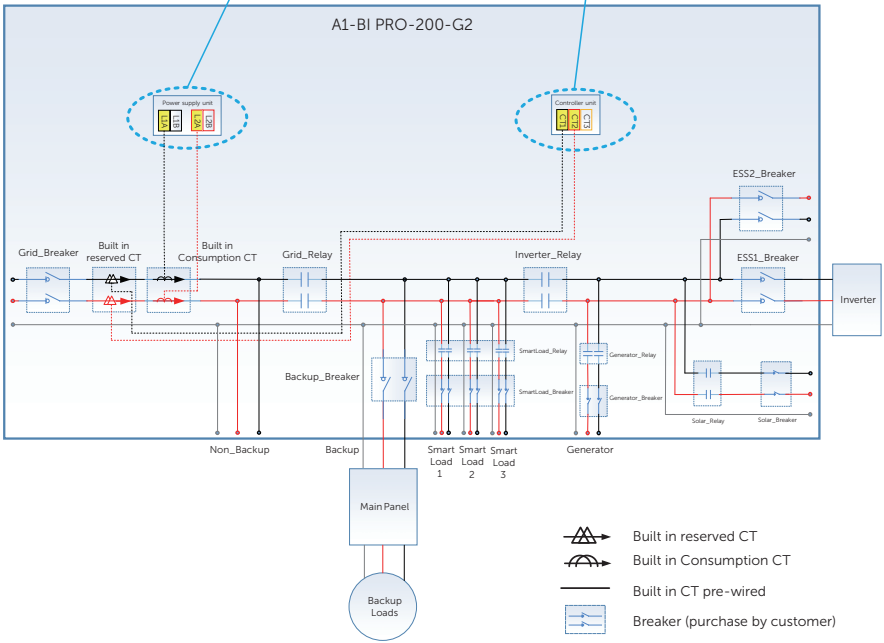
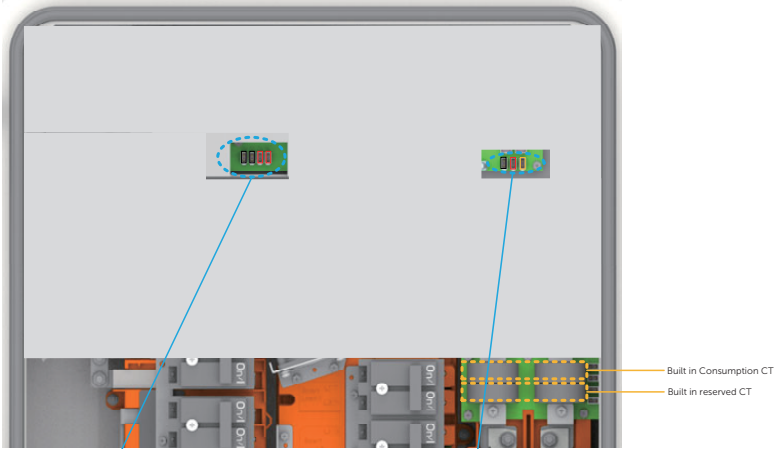
But for the follow 2 applications,

- 1.2 Partial home backup
- 1.3 Partial home back up with different panels

The built-in meter does not measure the import current of the whole home. As a result, the energy management strategy, like self-use and time of use, may not work. So a brief CT configuration is introduced to make sure the Generation 2 energy storage system works as desired.

1 CT configuration

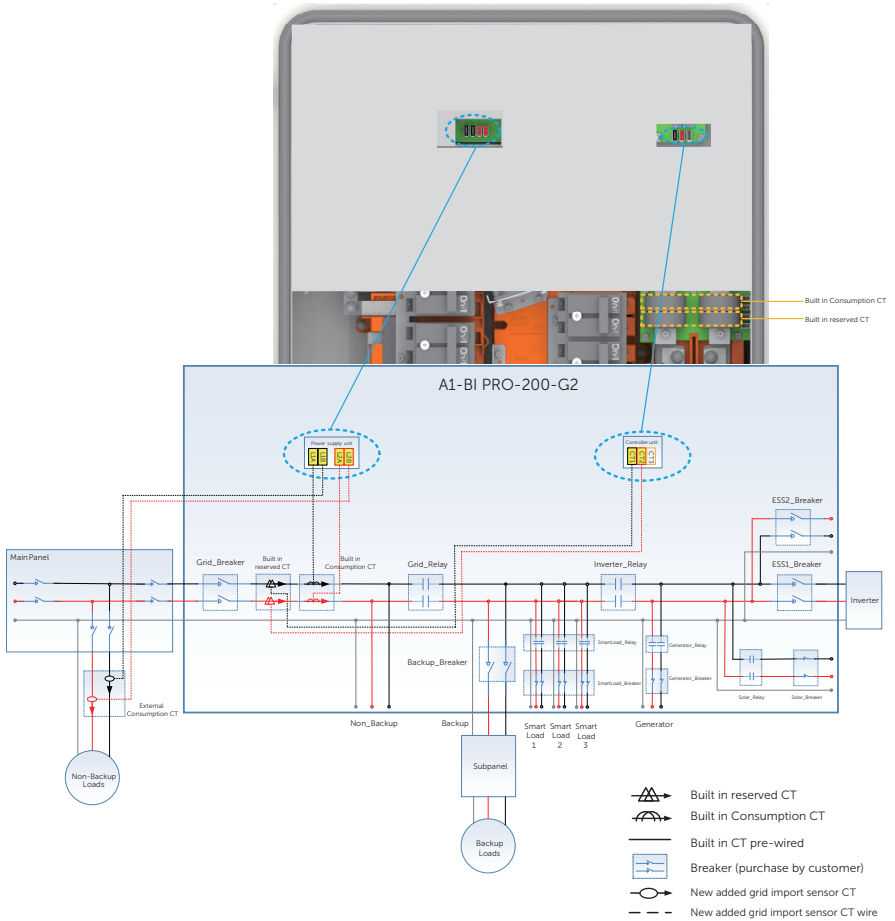
1.1 Whole home backup



1.2 Partial home backup

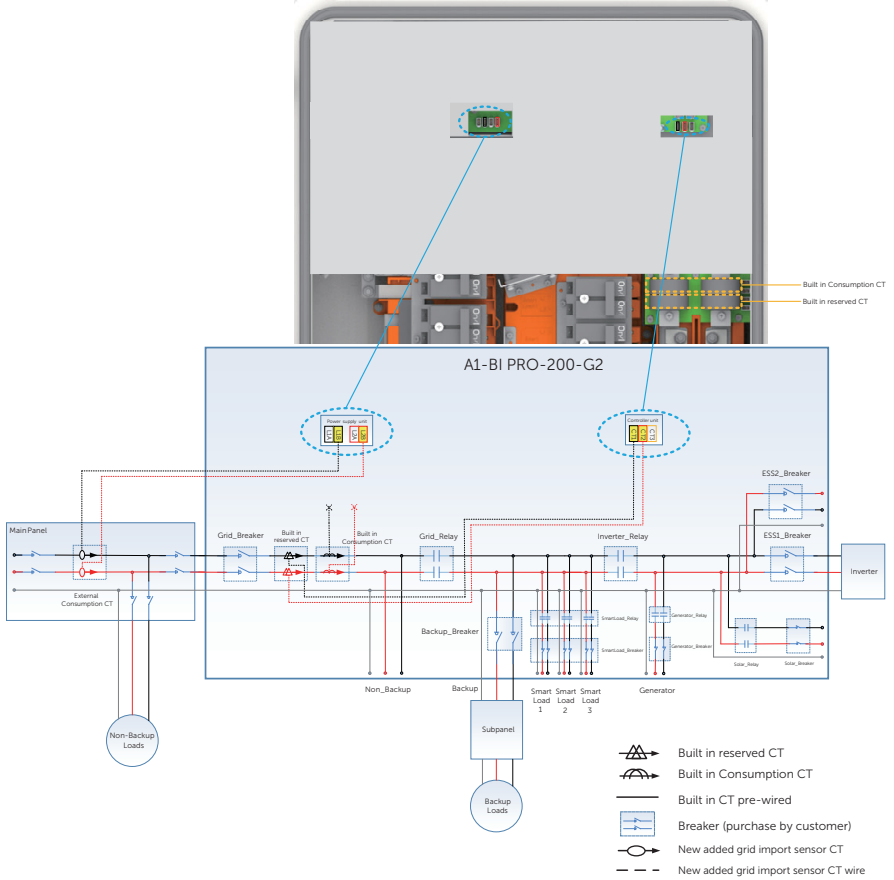
Disconnect the pre-installed CT and re-connect the new added CT to the L1A and L2A respectively.

Need two extra CT to monitor the grid input currents.



1.3 Partial home backup with different panels

Need two extra CT to monitor the grid input currents.



2 CT install requirement

- The CTs wires should be routed near the right side of the BI wall internally. The CTs linked to the BI controller board can also be routed at the left upper corner.
- The CTs wires should be tied tightly, and make sure do not contact the bus bar.
- All the CTs directions are from grid to load.
- All the CTs phase should be the same as the voltage. Check the voltage between the gird port of BI L1 voltage and the conductor clamped by the L1 CT, if the voltage is around zero, the CT phase is right.
- All CTs should be clamped at the right location.

3 CT accessories order information

CT accessories includes the extend wire and CT core.

The extend wire has two types, one is 3m/10ft, the other is 50m/164ft.

The extend wire package includes phase L1 labels, phase L2 labels, Y split wires which for parallel the CTs, extend wires. All quantity is 2 pieces.

The CT is 200A, the hard not flexible type.

The CT package includes phase L1 & direction labels, phase L2 & direction labels, CTs. All quantity is 2 pieces.

4 Tool requirement

Free tool. The accessories are terminated with the same connectors, just plug.



SolaX Power Network Technology (Zhejiang) Co., Ltd.

Add.: No. 278, Shizhu Road, Chengnan Sub-district, Tonglu County,
Hangzhou, Zhejiang, China
E-mail: info@solaxpower.com

